

AF-9, 10 Type Series Air Vent Valve

Made of stainless steel, 0.3, 1.0MPa

for Building Equipments, Factory Equipments, Absorption Side of Pump or Sealed Circuit (AF-9) etc.

Corrosion resistant with stainless steel body and strainer embedded, AF-10 series are durable air vent valves that can absorb and vent air.

AF-9 series have check valve embedded and are designed to prevent air from being absorbed into the valve even when there is negative pressure at the inlet side of air vent valve. Therefore, they are ideal for applications at air absorbing side of pump or sealed circuit of ventilation system where only ventilation is required, but not air absorption.

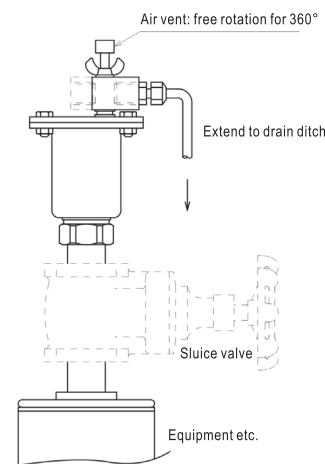


AF-9 Type



AF-10 Type

PIPING EXAMPLE



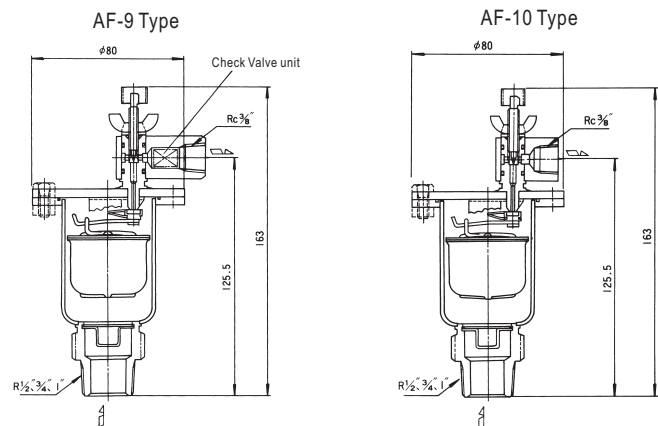
FEATURES

- Embedded strainer allows easy design and installation.
- Corrosion resistant, durable body made of stainless steel.
- The air vent can rotate for 360°, allows easy installation.
- With manual stopping device.
- Does not absorb air even when there is negative pressure; suitable for the air absorbing side of pump (AF-9 series)

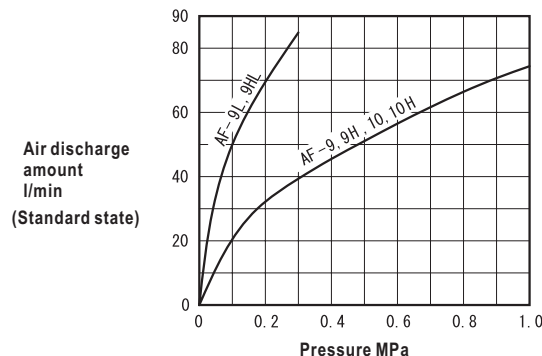
SPECIFICATIONS

Type	With no-air suction device					
Model name	AF-9	AF-9H	AF-9L	AF-9HL	AF-10	AF-10H
Code name	AF9-D	AF9H-D	AF9-DL	AF9H-DL	AF10-D	AF10H-D
Size	15 20 25(1/2" 3/4" 1")					
Applicable pressure	Max. 1.0MPa		Max. 0.3MPa		Max. 1.0MPa	
Fluid temperature	5~90°C	5~150°C	5~90°C	5~150°C	5~90°C	5~150°C
Applicable fluid	Water & hot water				Water, hot water & oil(S.G.:0.8 or over)	
Valve body pressure test	Hydraulic 1.75MPa					
End connection	Inlet:Screwed JIS R, Outlet:Screwed JIS Rc3/8"					
Materials	Body(Stainless steel), Disc(Synthetic rubber), Float(Stainless steel)					
Accessories	Manual shut off knob, Strainer, Check valve				Manual shut off knob, Strainer	

CONSTRUCTION



AIR DISCHARGE CHART(Size 15~25mm)



Points for installation

- Install the product vertically to pipe (deviation of verticality: 5°).
- Before installation, remove all foreign matters in pipe and equipment.
- Install stop valve at the inlet side to allow water supply to be stopped before maintenance works. Use sluice valve or ball valve that can be switched between water and air, or a ball valve.
- In the case of indoor installation, extend the valve with pipe to drain ditch. The end of such pipe for discharge should not be submerged into water.
- When water leakage occurs, loosen the nut and rotate the switch. The leakage will be stopped.
- Apply thermal insulation on air vent valve if there is risk of freezing.